



*Chapter 2*

# Cutting, Drilling and Beveling

---

## Pipe Hole Cutter

**JK150**

### Product Description

- The Hongli Model JK150 pipe hole cutter is designed to cut holes up to 152mm into steel pipe. The multiple hole sizes allow the use of Mechanical fittings for branching unpressurized pipe lines.
- The JK150 has a 5/8" (16mm) capacity drill chuck to accommodate all sizes of hole saws and hole saw arbors. An integral motor and gear reduction optimizes performance of large diameter hole saws. The two feed handles allows the operator to use the Hole Cutting Tool from either the left or right side.



### Specifications

- Cutting Capacity: Up to 6" (152 mm)
- Pipe Mounting Capacity: 1 1/4" - 12" (30mm-300 mm)
- Drill Chuck Capacity: 3-16mm
- Drill Chuck Speed: 110 RPM (no load)
- Motor: universal, 1500W
- Height: 303mm
- Length: 340mm
- Width: 315mm



### Ordering Information

Catalog No.	Model No.	Description	N.W
85002	JK150	Pipe hole cutter 110V-60Hz	20kg
85001	JK150	Pipe hole cutter 220V-50Hz	20kg

## JK114

### Product Description

- Model JK114 is designed for pipe hole cutting up to 114mm into steel pipe. The multiple hole sizes allow the use of Mechanical fittings for branching unpressurized pipe lines.
- Light weight for easy transportation, ideal for the hole cutting in small sizes. Induction motor ensures quiet working performance.

### Specifications

- Cutting Capacity: up to 4" (114mm)
- Pipe Mounting Capacity: 1 1/4"-8" (32mm-220mm)
- Drill Chuck Capacity: 3-16mm
- Drill Chuck Speed: 110RPM (no load)
- Motor: induction, 550W
- Height: 513mm
- Length: 260mm
- Width: 248mm

### Ordering Information

Catalog No.	Model No.	Description	N.W
84001	JK114	Pipe hole cutter 110V-60Hz	14.8kg
84002	JK114	Pipe hole cutter 220V-50Hz	14.8kg



## Hole saws



### Product Description

- Excellent performance and long-lasting life.
- Bi-metal construction with teeth made from specially hardened M3 or M42 high speed steel. The varying teeth height and gullet sizes result in much faster cutting and longer life. Suitable for various material like mild steel, tool and stainless steel, brass, aluminum, wood. Size ranges from 14mm to 210mm.
- Depth of cut: 38mm
- Use high quality thread cutting oil on all metal except cast iron



### Ordering Information

Model No.	Sizes (mm)	Applicable arbor
H14	14	A1
H16	16	A1
H17	17	A1
H19	19	A1
H20	20	A1
H21	21	A1
H22	22	A1
H24	24	A1
H25	25	A1
H27	27	A1
H29	29	A1
H30	30	A1
H32	32	B1
H33	33	B1
H35	35	B1
H37	37	B1
H38	38	B1
H40	40	B1
H41	41	B1
H43	43	B1

Model No.	Sizes (mm)	Applicable arbor
H44	44	B1
H46	46	B1
H48	48	B1
H51	51	B1
H52	52	B1
H54	54	B1
H57	57	B1
H59	59	B1
H60	60	B1
H64	64	B1
H65	65	B1
H67	67	B1
H68	68	B1
H70	70	B1
H73	73	B1
H76	76	B1
H79	79	B1
H83	83	B1
H86	86	B1
H89	89	B1

Model No.	Sizes (mm)	Applicable arbor
H92	92	B1
H95	95	B1
H98	98	B1
H102	102	B1
H105	105	B1
H108	108	B1
H111	111	B1
H114	114	B1
H121	121	B1
H127	127	B1
H133	133	B1
H140	140	B1
H146	146	B1
H152	152	B1
H160	160	B1
H165	165	B1
H168	168	B1
H177	177	B1
H200	200	B1
H210	210	B1

## Hydraulic Power Pipe Cutters



Ball Bearing Pipe Support for QG8C

### Product Description

- The Model QG8C Hydraulic Power Pipe Cutter cuts 2" to 8" schedule 10/40, steel pipe, galvanized pipe at the job site or in the shop. The operator controls the feeding rate by pumping the hydraulic hand pump throughout the operation. The QG8C cuts pipes with clean cutting edge, no sparks, dust or open flame. The processed pipes can be threaded or grooved with no extra processing. An induction motor ensures very quiet operation.

### Features

- Easily cuts by displacing instead of removing pipe material.
- No abrasive dust, dangerous sparks, or open flame.
- Quickly cuts steel pipe with minimal burr.
- Great for cutting pipe for groove joining.
- Heavy-duty design is perfect for field or shop use.
- Quiet operation.

### Specifications

- Cutting Capacity: 2" to 8" schedule 10/40
- Motor: 450W induction, 50/60Hz
- Spindle Speed: 24 RPM
- Switch: ON/OFF heavy duty switch

### Ordering Information

Catalog No.	Model No.	Description	N.W(kg)
75003	QG8C	Hydraulic Power Pipe Cutter, 110V/60Hz	65
75001	QG8C	Hydraulic Power Pipe Cutter, 220V/50Hz	65
Accessories			
	--	Cutting Wheel	
	--	Ball Bearing Pipe Support for QG8C	6

QG8C



Model QG8C Hydraulic Power Pipe Cutter



# Cutting, Drilling and Beveling

## QG12C

### Product Description

- The Model QG12C Hydraulic Power Pipe Cutter offers 2½" to 12" schedule 10/40 cutting range. Utilizing displacement type cutter wheel technology. The operator controls the feeding rate by pumping the hydraulic hand pump throughout the operation. The QG12C cut pipes with clean cutting edge, no sparks, dust or open flame. The processed pipes can be threaded or grooved with no extra processing. An induction motor ensures very quiet operation.

### Features

- Easily cuts by displacing instead of removing pipe material.
- No abrasive dust, dangerous sparks, or open flame.
- Quickly cuts steel pipe with minimal burr.
- Great for cutting pipe for groove joining.
- Heavy-duty design is perfect for field or shop use.
- Quiet operation.

### Specifications

- Cutting Capacity: 2½" to 12" schedule 10/40
- Motor: 750W induction, 50/60Hz
- Spindle Speed: 24 RPM
- Switch: ON/OFF heavy duty switch

### Ordering Information

Catalog No.	Model No.	Description	N.W(kg)
76003	QG12C	Hydraulic Power Pipe Cutter, 110V/60Hz	120
76001	QG12C	Hydraulic Power Pipe Cutter, 220V/50Hz	120
Accessories			
	--	Cutting Wheel	
4021010	--	Ball Bearing Pipe Support for QG12	11



Model QG12C Hydraulic Power Pipe Cutter



Ball Bearing Pipe Support for QG12C

## C-Narrow Design Pipe Beveling Machine



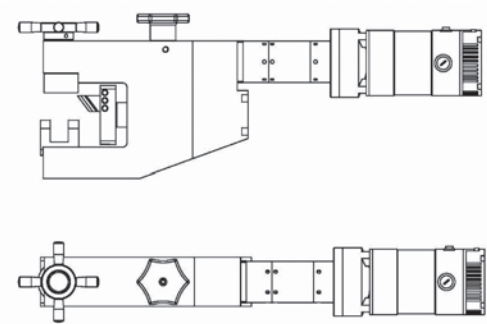
### Product Description

- This machine is effective, ideal and reliable solution to precisely square cut and bevel for all types of metal pipes/tubes. All saw-bladed pipe cutters with precise, square and clean cut, which save any additional preparation work on the cut-off face for orbital welding.
- The cut/beveled pipe is free from burr and deformation because of high quality saw blades. It is the best choice for direct S.S pipe welding on catering, pharmacy, semiconductor optoelectronics, biology, chemical industry, oil and gas, water treatment, shipbuilding, electric power industry, etc.



### Specifications

- Compact structure, designed to bevel the pipe in the narrow space.
- Pipe out-mounted, self centering, secured clamping, easy to operate.
- Aluminum body, light weight, suitable for working aloft.
- High quality beveling tool, can process different grades of carbon steel, alloy steel, stainless steel and so on.
- More choice for the driven model, electric or pneumatic, widely applicable.
- Apply to pipe end beveling process of water pipe, heater boiler and thermal power plant.
- Electric: Driven by low-energy consumption electric motor 110V or 220V, 50-60Hz
- Pneumatic: Drive by pneumatic motor. Air working pressure: 0.6-0.8Mpa, Air Consuming flux: 650-960L/min



### Beveling Types



- other bevel angles or alloy steel, cast steel, please consult us.

### Technical Parameter

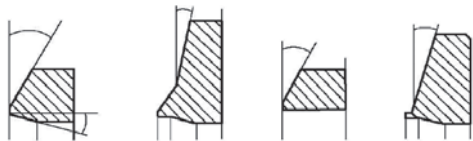
Model No.	Size	Working range (OD mm)	Wall thickness(mm)	"Tool stroke (mm)"	Rated Power (KW)	Rotating Speed(rpm)
Electric: ISC	53	8-53	≤ 8	0-11	0.9	58
	63	20-63	≤ 12	0-11	0.9	55
	73	25-73	≤ 12	0-11	0.9	54
Pneumatic: TSC	83	30-83	≤ 12	0-11	1.4	43
	108	50-108	≤ 12	0-11	1.4	42

## Split Frame Pipe Cutting and Beveling Machine

### Product Description

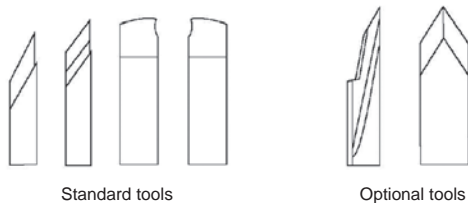
- Split frame technology, easy to install in pipeline.
- Out mounted, clamping by multipoint jaws.
- Cold cutting, don't influence the pipe's material.
- Auto feed, Cutting and Beveling the pipe at the same time, cost effective.
- Variety of beveling shape: "U", "V", "J", double "V" compound bevels.
- Can process material: carbon steel, alloy steel, stainless steel
- Pipeline construction site, beveling process for all the size of pipes & pressure vessels & steam generator.
- Application: petroleum, chemical, natural gas, power supply construction, boiler and nuclear power.
- Four types of driven motors :Electric, Pneumatic, Numerical Controller and Hydraulic.

### Beveling Types



- Other bevel angles or alloy steel, cast steel, please declare before order.

### Tools



- Standard tools attached (high speed steel, wall thickness  $\leq 25\text{mm}$ ), If customers need other degrees cutting tools or wall thickness  $> 25\text{mm}$ , please inform us before order.

### Specifications

- Electric: Driven by low-energy consumption electric motor. 110V or 220V, 50-60Hz
- Pneumatic: Drive by pneumatic motor. Air working pressure: 0.6-0.8Mpa, Air Consuming flux: 650-960L/min

### Electric Drive



ISD series

### Pneumatic Drive



ISF series



# Cutting, Drilling and Beveling

## Specifications

- Numerical controller: Driven by the high-power servo motor and PLC control system. Timing range: 0-20 RPM, Power 2.0-5.5KW, 220-230V, 50-60Hz.
- Hydraulic: Driven by hydraulic motor, Rated pressure: 16Mpa, Rate Flux; 25L/min, output torque 260 NM, Electric power: 7.5KW, 380V-3Ph.

## Numerical Controller



## Machine Body and Material

- Standard Model: Alloy steel with ionic treatment. The weight is a little heavy, but sturdy and durable.
- Light Model: Aerospace grade Aluminum alloy or Hollow-out alloy steel. Light weight and suitable for high-altitude operation.

## Hollow-out Alloy Steel



## Hydraulic Drive



## Aluminum Alloy



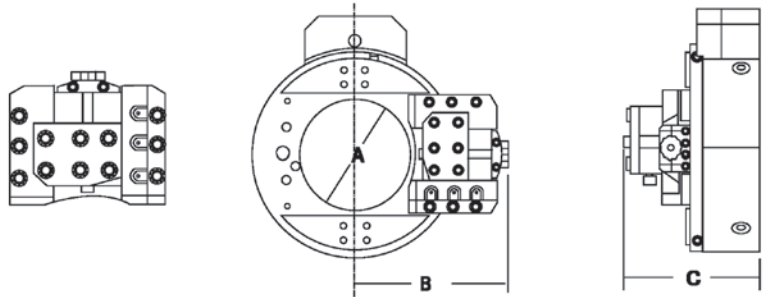
# Cutting, Drilling and Beveling

## Metric Standard

Model No.	Size(mm)	Capacity (OD mm)	Wall thickness(mm)		Rated Power (KW)	Rotating Speed(rpm)
			Light duty	Heavy duty		
Light-duty: Electric:ISD Pneumatic:ISF NC:SKD Hydraulic:HYD	80	φ10-80	≤25		1.4	34
	150	φ65-150	≤25		1.4	26
	300	φ150-300	≤25	≤110	1.4	24
	450	φ300-450	≤25	≤110	1.4	22
	600	φ450-600	≤25	≤110	2	15
	750	φ600-750	≤25	≤110	2	14
	830	φ680-830	≤25	≤110	2	13
	900	φ750-900	≤25	≤110	2	12
	1050	φ900-1050	≤25	≤110	2	12
	1160	φ980-1160	≤25	≤110	2	11
Heavy-duty: Electric:ISDH Pneumatic:ISFH NC: SKDH Hydraulic:HYDH	1240	φ1040-1240	≤25	≤110	2	10
	1300	φ1150-1300	≤25	≤110	2	10
	1500	φ1300-1500	≤25	≤110	3	8
	1700	φ1500-1700	≤25	≤110	3	8
	1910	φ1700-1910	≤25	≤110	5.5	7
	2100	φ1900-2100	≤25	≤110	5.5	6
	2300	φ2100-2300	≤25	≤110	5.5	4

## Machine Body Size

(standard Specifications, if non-standard Specifications, please consult us)



Model No.	80	150	300	450	600	750	830	900	1050
A(mm)	85	166	306	458	606	753	836	910	1160
B(mm)	171	230	309	385	458	532	606	614	688
C(mm)	161	161	175	175	175	175	175	175	175

Model No.	1160	1240	1300	1500	1700	1910	2100	2300
A(mm)	1170	1250	1310	1510	1710	1920	2110	2310
B(mm)	772	784	836	934	1036	1140	1244	1344
C(mm)	221	221	221	221	221	221	221	221

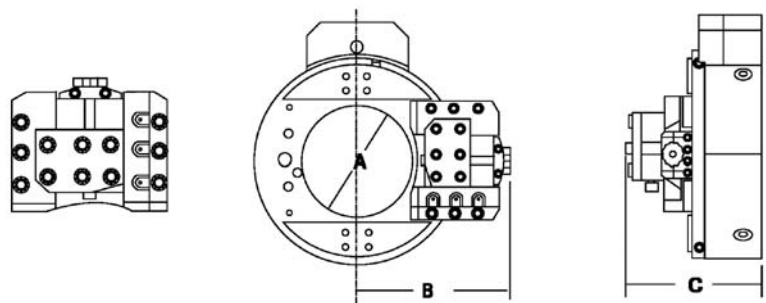
# Cutting, Drilling and Beveling

## British Standard

Model No.	Size(mm)	Capacity (OD mm)	Wall thickness(mm)		Rated Power (KW)	Rotating Speed(rpm)
			Light duty	Heavy duty		
Light-duty:	168	1"-6"	≤25		1.4	24
	219	2"-8"	≤25		1.4	23
Electric:ISD	273	4"-10"	≤25	≤110	1.4	23
Pneumatic:ISF	323	6"-12"	≤25	≤110	1.4	23
NC:SKD	355	8"-14"	≤25	≤110	2.0	23
Hydraulic:HYD	406	10"-16"	≤25	≤110	2.0	22
	457	12"-18"	≤25	≤110	2.0	20
Heavy-duty:	508	14"-20"	≤25	≤110	2.0	20
	555	16"-22"	≤25	≤110	2.0	14
Electric:ISDH	610	18"-24"	≤25	≤110	2.0	14
Pneumatic:ISFH	762	24"-30"	≤25	≤110	2.0	13
NC: SKDH	914	30"-36"	≤25	≤110	2.0	11
Hydraulic:HYDH	1066	36"-42"	≤25	≤110	2.0	10
	1220	42"-48"	≤25	≤110	3.0	9

## Machine Body Size

(standard Specifications, if non-standard Specifications, please consult us)



Model No.	168	219	273	323	355	406	457
A(mm)	176	227	281	333	365	420	471
B(mm)	243	269	296	322	338	365	390
C(mm)	175	175	175	175	175	175	175

Model No.	508	555	610	762	914	1066	1220
A(mm)	516	565	620	770	930	1080	1240
B(mm)	413	475	502	577	653	728	837
C(mm)	175	175	175	175	175	221	221

# Cutting, Drilling and Beveling

## T-Type Beveling Machine

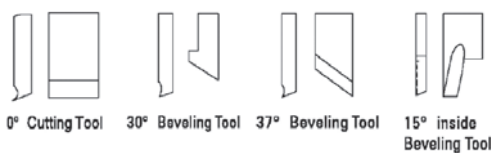
### Product Description

- Inner mounted quickly and easily, self located in center of the pipe.
- Beveling and grooving with high speed, light weight, good rigidity. Used for the welding preparation.
- Can process facing, flange, convex surface and seal groove.
- Cold cutting process will not influence the quality of the material of the pipe.
- High quality beveling tool, can process different grades of carbon steels, alloy steel, stainless steel and so on.
- Can process the U, V and J shape of pipe beveling according to the requirements.

### Specifications

- Electric: Driven by low-energy consumption electric motor 110V or 220V optional, 50-60Hz
- Pneumatic: Drive by pneumatic motor. Air working pressure: 0.6-0.8Mpa, Air Consuming flux: 650-960L/min

### Beveling Types



- other bevel angles or alloy steel, cast steel, please declare before order

### Technical Parameter

Model No.	Size	Working Range (ID mm)	Wall Thickness (mm)	Rated power (KW)	Rotating Rate (rpm)
Electric:SDC	28T	16-28	≤ 15	0.9	58
	80T	28-76	≤ 15	0.9	55
	120T	45-93	≤ 20	1.4	42
	150T	65-159	≤ 20	1.4	34
Pneumatic: TCM	350T	150-330	≤ 20	1.4	16
	30TN	12-30	≤ 15	0.9	58
	90TN	25-90	≤ 15	1.4	42



## Y-Type Beveling Machine

### Product Description

- The Beveling Machine adopts “Y” shape struction design, minimal radial space, light weight, easy to carry, safe use.
- Inner mounted quickly and easily, self located in center of the pipe.
- Beveling and grooving with high speed, light weight, good rigidity. Used for the welding preparation.
- Can process facing, flange, convex surface and seal groove.
- Cold cutting process will not influence the quality of the material of the pipe.
- High quality beveling tool, can process different grades of carbon steels, alloy steel, stainless steel and so on.
- Can process the U, V and J shape of pipe beveling according to the requirements.

### Beveling Types



- other bevel angles or alloy steel, cast steel, please declare before order

### Technical Parameter

Model No.	Size	Capacity (ID mm)	Wall thickness(mm)	Rated Power (KW)	Rotating Speed(rpm)
Electric: ISY	150	65-159	≤ 15	1.4	34
	250	80-240	≤ 15	1.4	16
	351	150-330	≤ 15	1.4	14
Pneumatic: TCM	630	300-600	≤ 15	1.4	10
	850	600-820	≤ 15	2.0	9

Model No.	Size	Capacity (ID mm)	Wall thickness(mm)	Rated Power (KW)	Rotating Speed(rpm)
Electric: ISY	250-II	80-240	≤ 75	1.4	16
	351-II	150-330	≤ 75	1.4	14
Pneumatic: TCM	630-II	300-600	≤ 75	1.4	10
	850-II	600-820	≤ 75	2.0	9

### Specifications

- Electric: Driven by low-energy consumption electric motor 110V or 220V optional, 50-60Hz
- Pneumatic: Driven by pneumatic motor. Air working pressure:0.6-0.8Mpa, Air Consuming flux:650-960L/min



## Magnetic Drill Series (Multi-functional)

### Model BL-13 / BL-13E / BL-13RE

- A hand-held, powerful, portable Magnetic Drill
- Features a reversible 110V or 220V universal motor.
- Soft start, constant power and overload protection.
- Step-less speed regulation.
- Adjustable speed for BL-13E and BL-13RE, to control the speed as you want.
- Reversible for BL-13RE, can be used for tapping.

### Ordering Information

Catalog No.	Model No.	Description	N.W(kg)
3041010	BL-13	Magnetic Drill, 110V/60Hz	11.5
3041020	BL-13	Magnetic Drill, 220V/50Hz	11.5
3041110	BL-13E	Magnetic Drill, 110V/60Hz	11.7
3041120	BL-13E	Magnetic Drill, 220V/50Hz	11.7
3041210	BL-13RE	Magnetic Drill, 110V/60Hz	12
3041220	BL-13RE	Magnetic Drill, 220V/50Hz	12

### Technical Specifications

- Drilling Capacity:  $\phi$ 13mm
- Motor: 1500W Universal, 110V or 220V, 50/60Hz.
- Magnetic Adhesion: 11000N
- Spindle Speed: 790 / 0-790 RPM (No load)



### Model BL-16 / BL-16E / BL-16RE

- A hand-held, powerful, portable Magnetic Drill
- Features a reversible 110V or 220V universal motor.
- Soft start, constant power and overload protection.
- Step-less speed regulation.
- Adjustable speed for BL-16E and BL-16RE, to control the speed as you want.
- Reversible for BL-16RE, can be used for tapping.

### Ordering Information

Catalog No.	Model No.	Description	N.W(kg)
3041310	BL-16	Magnetic Drill, 110V/60Hz	12.5
3041320	BL-16	Magnetic Drill, 220V/50Hz	12.5
3041410	BL-16E	Magnetic Drill, 110V/60Hz	12.7
3041420	BL-16E	Magnetic Drill, 220V/50Hz	12.7
3041510	BL-16RE	Magnetic Drill, 110V/60Hz	13
3041520	BL-16RE	Magnetic Drill, 220V/50Hz	13

### Technical Specifications

- Drilling Capacity:  $\phi$ 16mm
- Motor: 1680W Universal, 110V or 220V, 50/60Hz.
- Magnetic Adhesion: 11500N
- Spindle Speed: 680 / 0-680 RPM (No load)



## Model BL-19 / BL-19E / BL-19RE

- A hand-held, powerful, portable Magnetic Drill
- Features a reversible 110V or 220V universal motor.
- Soft start, constant power and overload protection.
- Step-less speed regulation.
- Adjustable speed for BL-19E / BL-19RE, to control the speed as you want.
- BL-19E / BL-19RE can work with Annular Cutter.
- Reversible for BL-19RE, can be used for tapping.

## Ordering Information

Catalog No.	Model No.	Description	N.W(kg)
3041610	BL-19	Magnetic Drill, 110V/60Hz	22.5
3041620	BL-19	Magnetic Drill, 220V/50Hz	22.5
3041710	BL-19E	Magnetic Drill, 110V/60Hz	22.7
3041720	BL-19E	Magnetic Drill, 220V/50Hz	22.7
3041810	BL-19RE	Magnetic Drill, 110V/60Hz	23
3041820	BL-19RE	Magnetic Drill, 220V/50Hz	23

## Technical Specifications

- Drilling Capacity:  $\phi$ 19mm
- Cutter Capacity:  $\phi$ 50mm
- Motor: 1750W Universal, 110V or 220V, 50/60Hz.
- Magnetic Adhesion: 12000N
- Spindle Speed: 350 / 0-350 RPM (No load)



## Model BL-23 / BL-23E / BL-23RE

- A hand-held, powerful, portable Magnetic Drill
- Features a reversible 110V or 220V universal motor.
- Soft start, constant power and overload protection.
- Step-less speed regulation.
- Adjustable speed for BL-23E and BL-23RE, to control the speed as you want.
- BL-19E / BL-19RE can work with Annular Cutter.
- Reversible for BL-23RE, can be used for tapping.

## Ordering Information

Catalog No.	Model No.	Description	N.W(kg)
3041910	BL-23	Magnetic Drill, 110V/60Hz	22.5
3041920	BL-23	Magnetic Drill, 220V/50Hz	22.5
3042010	BL-23E	Magnetic Drill, 110V/60Hz	22.7
3042020	BL-23E	Magnetic Drill, 220V/50Hz	22.7
3042110	BL-23RE	Magnetic Drill, 110V/60Hz	23
3042120	BL-23RE	Magnetic Drill, 220V/50Hz	23

## Technical Specifications

- Drilling Capacity:  $\phi$ 23mm
- Cutter Capacity:  $\phi$ 50mm
- Motor: 1880W Universal, 110V or 220V, 50/60Hz.
- Magnetic Adhesion: 14000N
- Spindle Speed: 330 / 0-330 RPM (No load)



# Cutting, Drilling and Beveling

## Model BL-28 / BL-28E / BL-28RE

- A hand-held, powerful, portable Magnetic Drill
- Features a reversible 110V or 220V universal motor.
- Soft start, constant power and overload protection.
- Step-less speed regulation.
- Adjustable speed for BL-28E / BL-28RE, to control the speed as you want.
- BL-28E / BL-28RE can work with Annular Cutter.
- Reversible for BL-28RE, can be used for tapping.

## Ordering Information

Catalog No.	Model No.	Description	N.W(kg)
3042210	BL-28	Magnetic Drill, 110V/60Hz	23
3042220	BL-28	Magnetic Drill, 220V/50Hz	23
3042310	BL-28E	Magnetic Drill, 110V/60Hz	23.2
3042320	BL-28E	Magnetic Drill, 220V/50Hz	23.2
3042410	BL-28RE	Magnetic Drill, 110V/60Hz	23.5
3042420	BL-28RE	Magnetic Drill, 220V/50Hz	23.5

## Technical Specifications

- Drilling Capacity:  $\phi$ 28mm
- Cutter Capacity:  $\phi$ 68mm
- Motor: 2080W Universal, 110V or 220V, 50/60Hz.
- Magnetic Adhesion: 14800N
- Spindle Speed: 300 / 0-300 RPM (No load)



## Model BL-30 / BL-30E / BL-30RE

- A hand-held, powerful, portable Magnetic Drill
- Features a reversible 110V or 220V universal motor.
- Soft start, constant power and overload protection.
- Step-less speed regulation.
- Adjustable speed for BL-30E and BL-30RE, to control the speed as you want.
- Reversible for BL-30RE, can be used for tapping.

## Ordering Information

Catalog No.	Model No.	Description	N.W(kg)
3042510	BL-30	Magnetic Drill, 110V/60Hz	23
3042520	BL-30	Magnetic Drill, 220V/50Hz	23
3042610	BL-30E	Magnetic Drill, 110V/60Hz	23.5
3042620	BL-30E	Magnetic Drill, 220V/50Hz	23.5
3042710	BL-30RE	Magnetic Drill, 110V/60Hz	24
3042720	BL-30RE	Magnetic Drill, 220V/50Hz	24

## Technical Specifications

- Drilling Capacity:  $\phi$ 30mm
- Motor: 2150W Universal, 110V or 220V, 50/60Hz.
- Magnetic Adhesion: 15000N
- Spindle Speed: 280 / 0-280 RPM (No load)





## Model BL-32 / BL-32RC / BL-32RCE

- A hand-held, powerful, portable Magnetic Drill
- Features a reversible 380V universal motor.
- Soft start, constant power and overload protection.
- Step-less speed regulation.
- 2 speeds for BL-32RC, machanical transmission.
- 3 speeds for BL-32RCE, machanical transmission.
- Reversible for BL-32RC / BL-32RCE, can be used for tapping.

## Ordering Information

Catalog No.	Model No.	Description	N.W(kg)
3042830	BL-32	Magnetic Drill, 380V/50Hz	52
3042930	BL-32RC	Magnetic Drill, 380V/50Hz	53
3043030	BL-32RCE	Magnetic Drill, 380V/50Hz	54

## Technical Specifications

- Drilling Capacity:  $\phi 32\text{mm}$
- Motor: 2100W Universal, 380V, 50Hz.
- Magnetic Adhesion: 16000N
- Spindle Speed: 280 / 150-280 / 75-150-280 RPM (No load)



## Model BL-38 / BL-38RC / BL-38RCE

- A hand-held, powerful, portable Magnetic Drill
- Features a reversible 380V universal motor.
- Soft start, constant power and overload protection.
- Step-less speed regulation.
- 2 speeds for BL-38RC, machanical transmission.
- 3 speeds for BL-38RCE, machanical transmission.
- Reversible for BL-38RC / BL-38RCE, can be used for tapping.

## Ordering Information

Catalog No.	Model No.	Description	N.W(kg)
3043130	BL-38	Magnetic Drill, 380V/50Hz	52
3043230	BL-38RC	Magnetic Drill, 380V/50Hz	53
3043330	BL-38RCE	Magnetic Drill, 380V/50Hz	54

## Technical Specifications

- Drilling Capacity:  $\phi 38\text{mm}$
- Motor: 2200W Universal, 380V, 50Hz.
- Magnetic Adhesion: 16500N
- Spindle Speed: 250 / 135-250 / 70-138-250 RPM (No load)



# Cutting, Drilling and Beveling

## Model BL-49 / BL-49RC / BL-49RCE

- A hand-held, powerful, portable Magnetic Drill
- Features a reversible 380V universal motor.
- Soft start, constant power and overload protection.
- Step-less speed regulation.
- 2 speeds for BL-49RC, mechanical transmission.
- 3 speeds for BL-49RCE, mechanical transmission.
- Reversible for BL-49RC / BL-49RCE, can be used for tapping.

## Ordering Information

Catalog No.	Model No.	Description	N.W(kg)
3043430	BL-49	Magnetic Drill, 380V/50Hz	49
3043530	BL-49RC	Magnetic Drill, 380V/50Hz	51
3043630	BL-49RCE	Magnetic Drill, 380V/50Hz	52

## Technical Specifications

- Drilling Capacity:  $\phi 49\text{mm}$
- Motor: 2300W Universal, 380V, 50Hz.
- Magnetic Adhesion: 17500N
- Spindle Speed: 220 / 120-220 / 65-120-220 RPM (No load)



## Model BL-60 / BL-60RC / BL-60RCE

- A hand-held, powerful, portable Magnetic Drill
- Features a reversible 380V universal motor.
- Soft start, constant power and overload protection.
- Step-less speed regulation.
- 2 speeds for BL-60RC, mechanical transmission.
- 3 speeds for BL-60RCE, mechanical transmission.
- Reversible for BL-60RC / BL-60RCE, can be used for tapping.

## Ordering Information

Catalog No.	Model No.	Description	N.W(kg)
3043730	BL-60	Magnetic Drill, 380V/50Hz	53
3043830	BL-60RC	Magnetic Drill, 380V/50Hz	54
3043930	BL-60RCE	Magnetic Drill, 380V/50Hz	55

## Technical Specifications

- Drilling Capacity:  $\phi 60\text{mm}$
- Motor: 2850W Universal, 380V, 50Hz.
- Magnetic Adhesion: 22000N
- Spindle Speed: 205 / 105-205 / 60-105-205 RPM (No load)

